

Client  
Client name or logo

General Note  
THESE ARCHITECTURAL DOCUMENTS ARE THE PROPERTY OF BIOMESHIELD INC. AND WILL NOT BE REPRODUCED WITHOUT WRITTEN PERMISSION. DIMENSIONS APPEARING ON THE DOCUMENTS MUST BE VERIFIED BY THE CONTRACTOR BEFORE WORK BEGINS. PLEASE USE THE DIMENSIONS ON THE DRAWINGS AND DO NOT MEASURE THE DISTANCE ON THESE DRAWINGS.

0	Preliminary	2020-02-26	EB
No	Revision	Date	By

0	Preliminary	2020-02-26	EB
No	Revision	Date	By



Seal

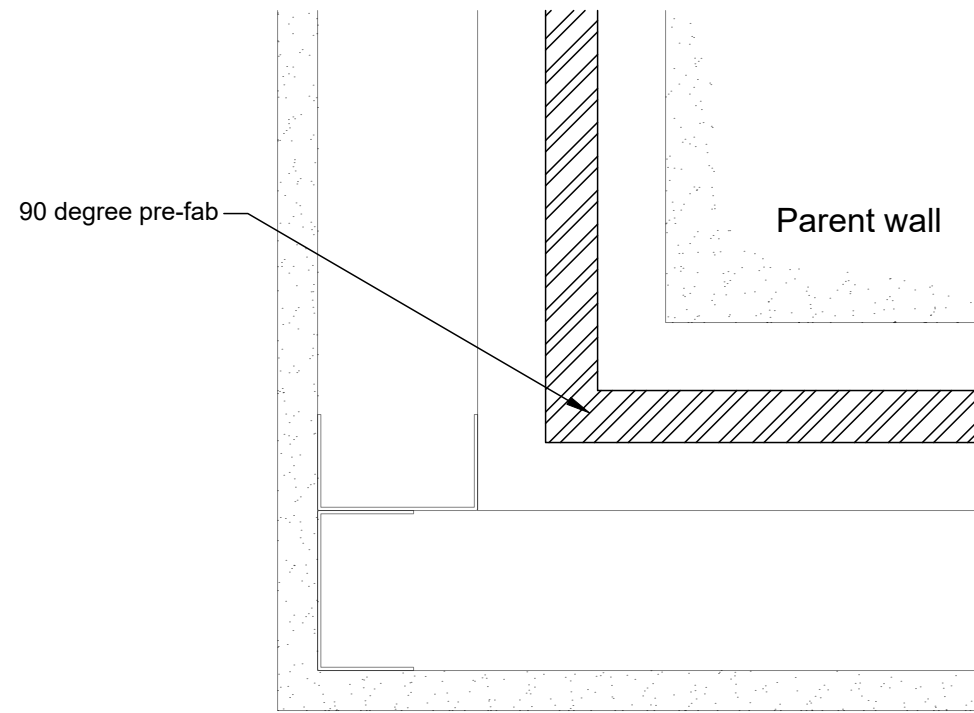
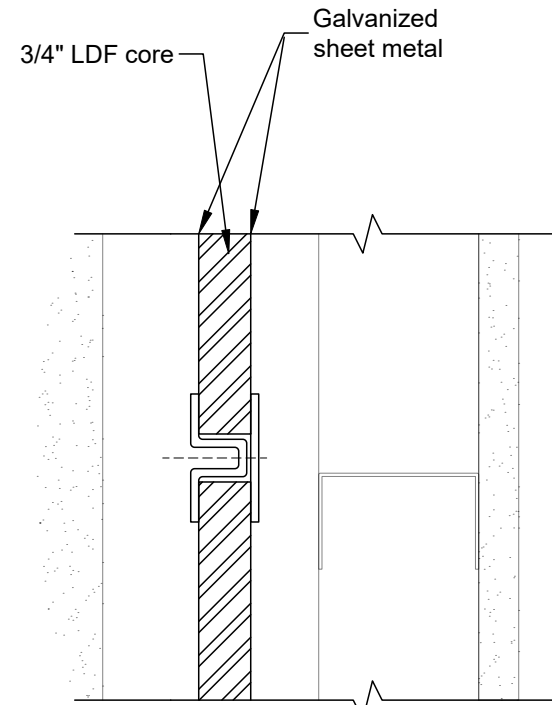
Notes

Project Number and Name  
100 -Typical wall sections

Sheet Title  
Hat and Flat RF shield  
Wall, Floor and Ceiling detail

Designed By  
Edward Baraghis  
Project Manager  
Edward Baraghis  
Checked By  
Edward Baraghis

Scale  
4in = 12in  
Sheet Number  
3

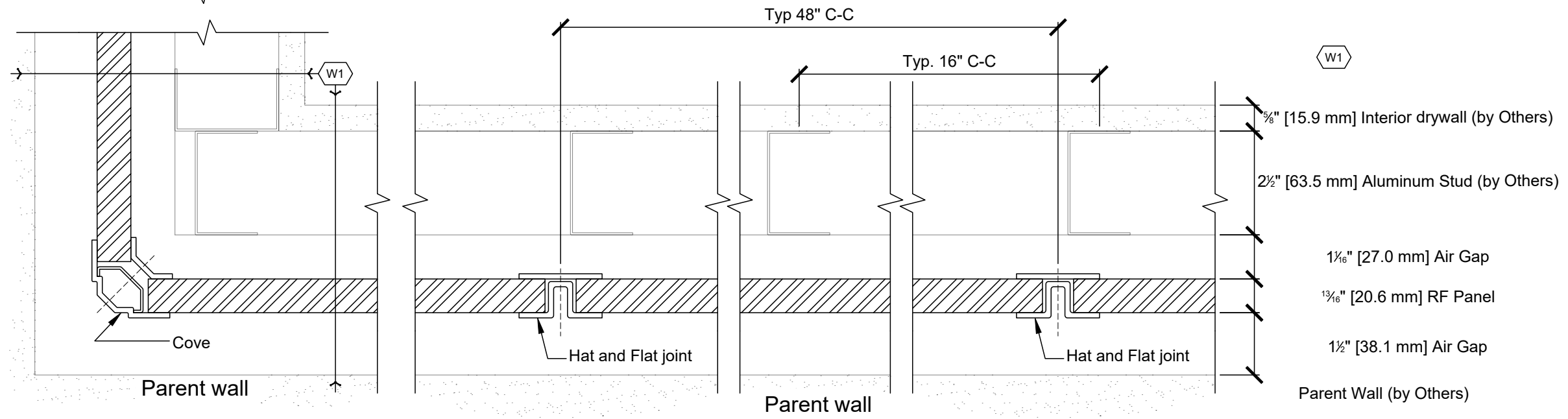


Hat and Flat shield  
Interior corner

PLAN VIEW

4in = 1ft

2  
RF-104



Hat and Flat shield  
Wall Composition

PLAN VIEW

4in = 1ft

1  
RF-104

Client  
Client name or logo

General Note  
THESE ARCHITECTURAL DOCUMENTS ARE THE PROPERTY OF BIOMESHIELD INC. AND WILL NOT BE REPRODUCED WITHOUT WRITTEN PERMISSION. DIMENSIONS APPEARING ON THE DOCUMENTS MUST BE VERIFIED BY THE CONTRACTOR BEFORE WORK BEGINS. PLEASE USE THE DIMENSIONS ON THE DRAWINGS AND DO NOT MEASURE THE DISTANCE ON THESE DRAWINGS.

0	Preliminary	2020-02-26	EB
No	Revision	Date	By



Seal

Notes

Project Number and Name  
100 -Typical wall sections

Sheet Title  
Hat and Flat RF shield  
Wall composition

Designed By  
Edward Baraghis  
Project Manager  
Edward Baraghis  
Checked By  
Edward Baraghis

Scale  
4in = 12in  
Sheet Number  
4