

Client

Client name or logo

General Note

THESE ARCHITECTURAL DOCUMENTS ARE THE PROPERTY OF BIOMEDSHIELD INC. AND WILL NOT BE REPRODUCED WITHOUT WRITTEN PERMISSION. DIMENSIONS APPEARING ON THE DOCUMENTS MUST BE VERIFIED BY THE CONTRACTOR BEFORE WORK BEGINS. PLEASE USE THE DIMENSIONS ON THE DRAWINGS AND DO NOT MEASURE THE DISTANCE ON THESE DRAWINGS.

0	Preliminary	2020-02-26	EB
No	Revision	Date	By

Seal

Notes

Project Number and Name

100 -Typical wall sections

Sheet Title

Copper RF shield Wall, Floor and Ceiling detail

Designed By

Edward Baraghis

Project Manager

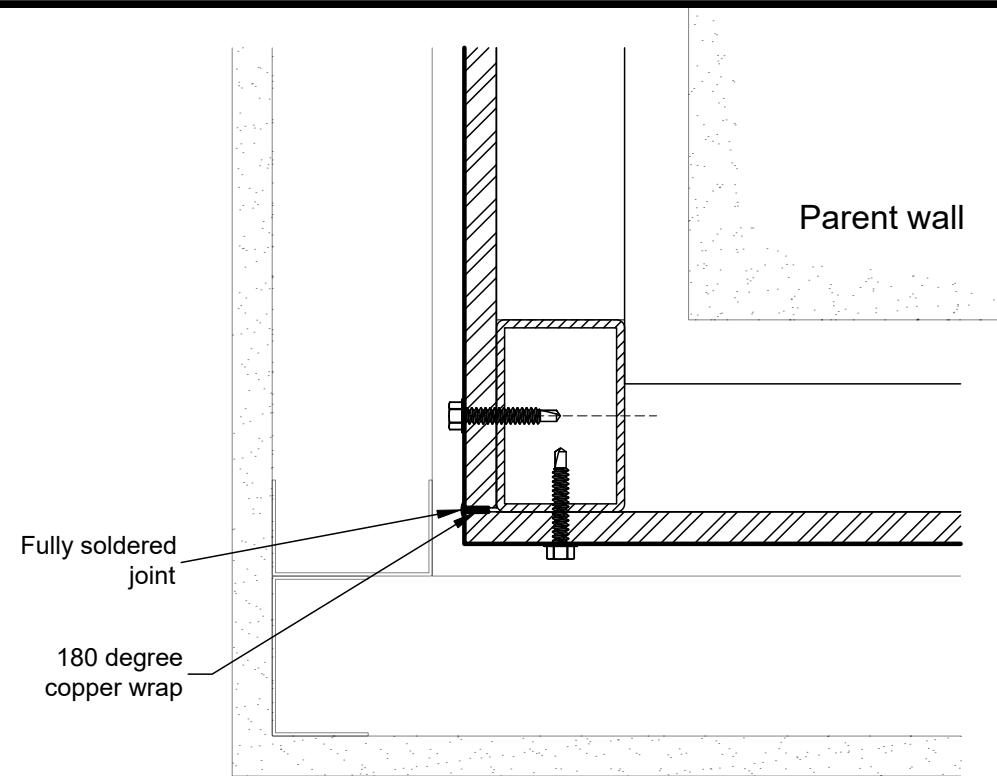
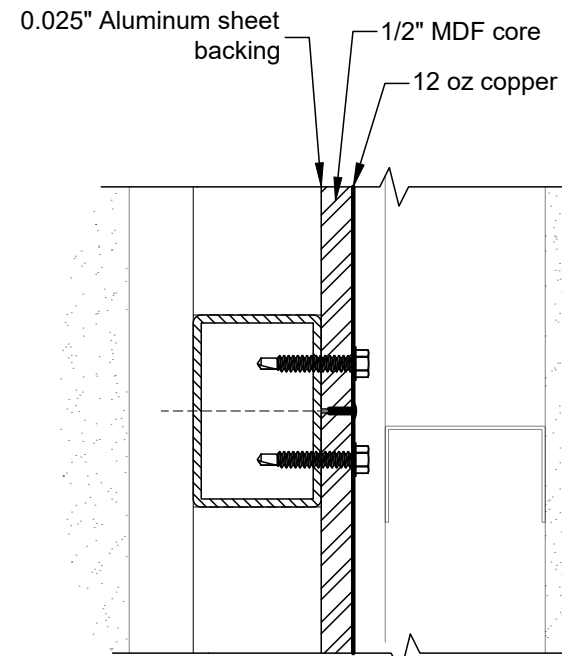
Edward Baraghis

Checked By

Edward Baraghis

Scale	Sheet Number
4in = 12in	1

Filepath and name : C:\Users\Edward\Dropbox (SDI Worldwide)\3-Sales\_\edward\Typical wall sections.dwg

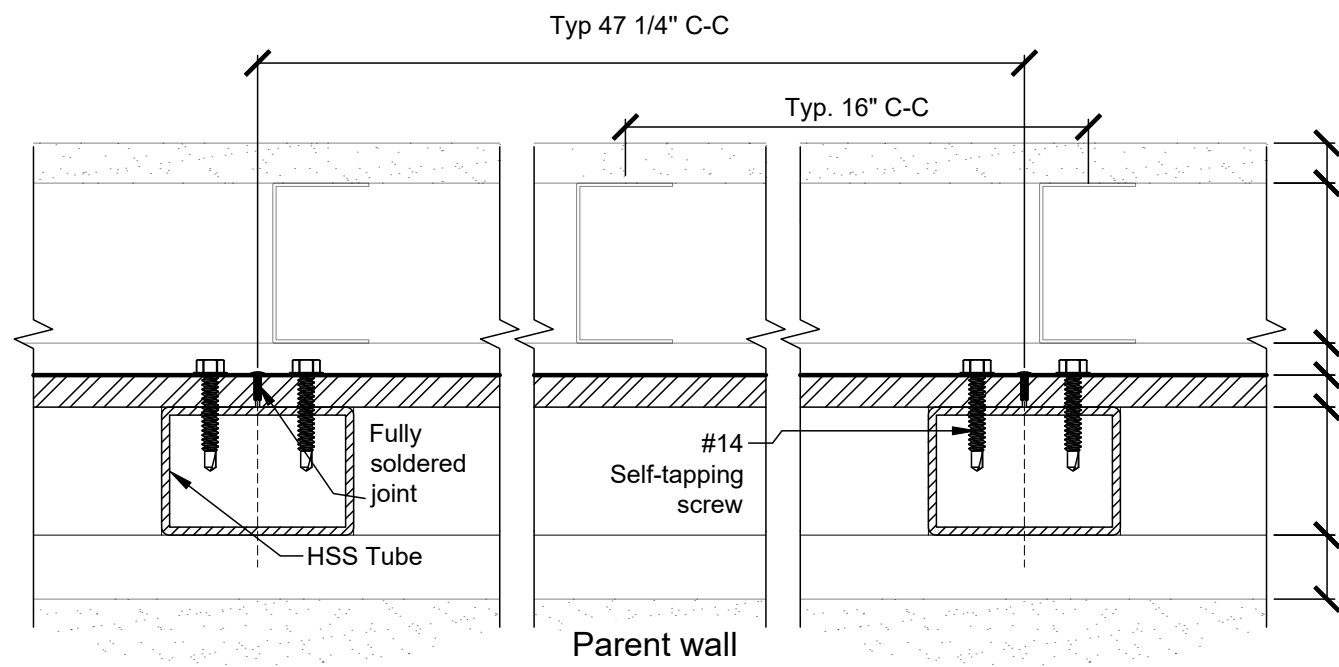
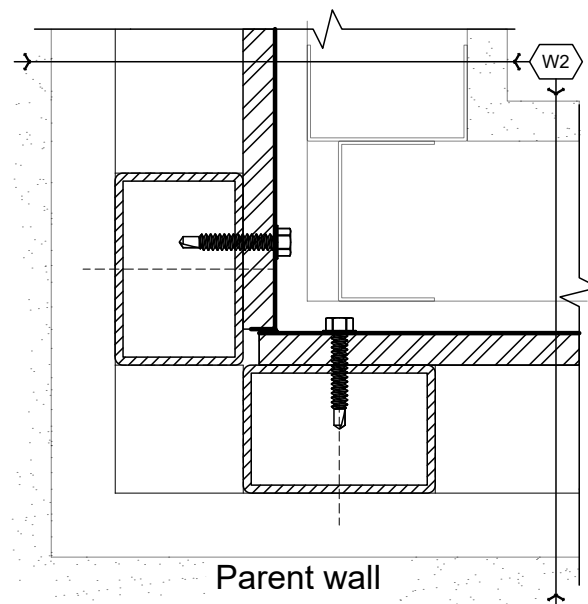


**Soldered copper shield  
Interior corner**

PLAN VIEW

4in = 1ft

2  
RF-104



- 5/8" [15.9 mm] Interior drywall (by Others)
- 2 1/2" [63.5 mm] Aluminum stud (by Others)
- 1/2" [12.7 mm] Air Gap
- 1/2" [12.7 mm] RF panel
- 2" [50.8 mm] RF steel structure
- 1" [25.4 mm] Air Gap
- Parent Wall (by Others)

**Soldered copper shield  
Wall Composition**

PLAN VIEW

4in = 1ft

1  
RF-104

Client  
Client name or logo

General Note  
THESE ARCHITECTURAL DOCUMENTS ARE THE PROPERTY OF BIOMESHIELD INC. AND WILL NOT BE REPRODUCED WITHOUT WRITTEN PERMISSION. DIMENSIONS APPEARING ON THE DOCUMENTS MUST BE VERIFIED BY THE CONTRACTOR BEFORE WORK BEGINS. PLEASE USE THE DIMENSIONS ON THE DRAWINGS AND DO NOT MEASURE THE DISTANCE ON THESE DRAWINGS.

No	Revision	Date	By
0	Preliminary	2020-02-26	EB



Seal

Notes

Project Number and Name  
100 -Typical wall sections

Sheet Title  
Copper RF shield  
Wall composition

Designed By  
Edward Baraghis  
Project Manager  
Edward Baraghis  
Checked By  
Edward Baraghis

Scale  
4in = 12in

Sheet Number  
2